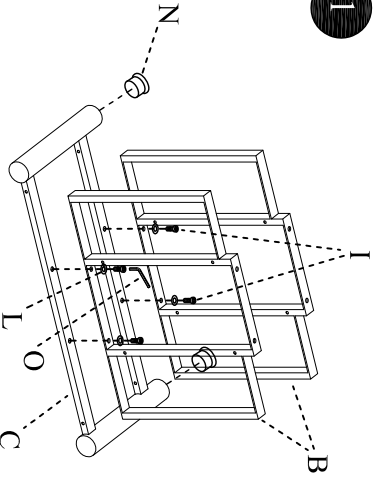
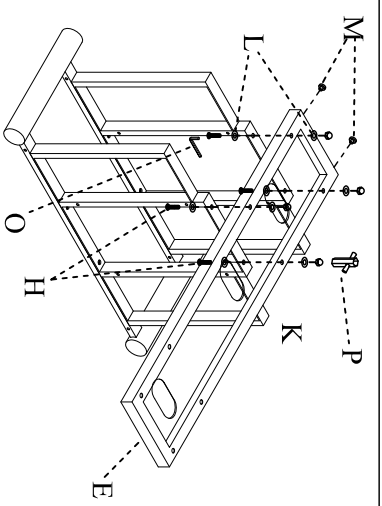


1



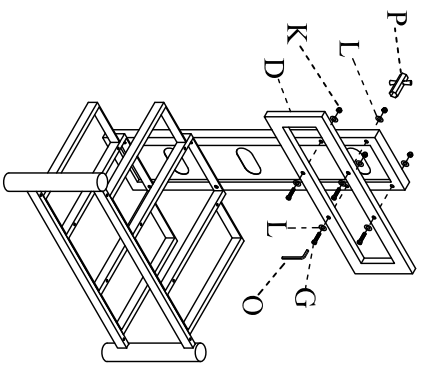
NO.	Part Description	Part Sketch Map	Qty
B	6mm Iron Shelf		2
C	Front Iron Shelf		1
I	M8X16 Screw		4
L	Ø17 Iron Spacer		4
N	Ø50 Plastic Spacer		2
O	M5 Alen key		1

2



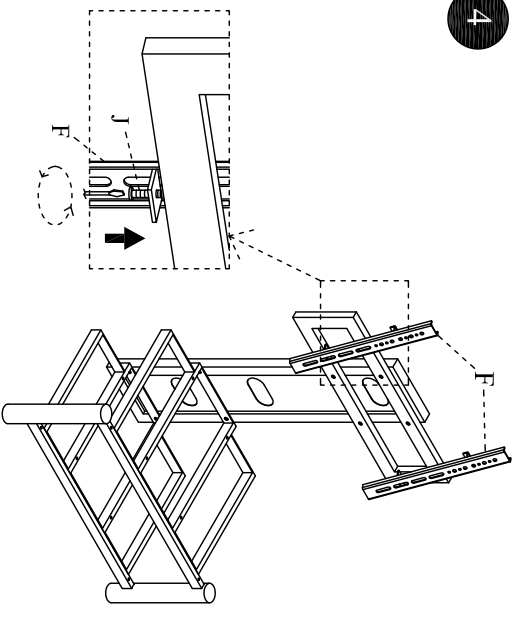
NO.	Part Description	Part Sketch Map	Qty
E	Cable Management		1
H	M8X40 Screw		4
L	Ø17 Iron Spacer		8
K	M8 Nut		4
M	Ø8 Plastic Spacer		2
O	M5 Alen key		1
P	M8 Wrench		1

3



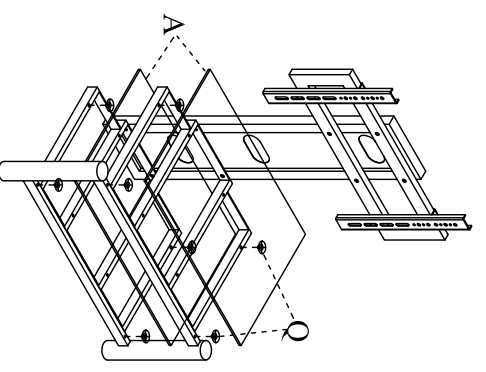
NO.	Part Description	Part Sketch Map	Qty
D	Mounts		1
G	M8X55 Screw		4
K	M8 Nut		4
L	Ø17 Iron Spacer		8
O	M5 Alen key		1
P	M8 Wrench		1

4



NO.	Part Description	Part Sketch Map	Qty
F	Hanger		2
J	M6X40 Screw		2

5



NO.	Part Description	Part Sketch Map	Qty
A	6mm Glass		2
Q	Cupula		8

6

